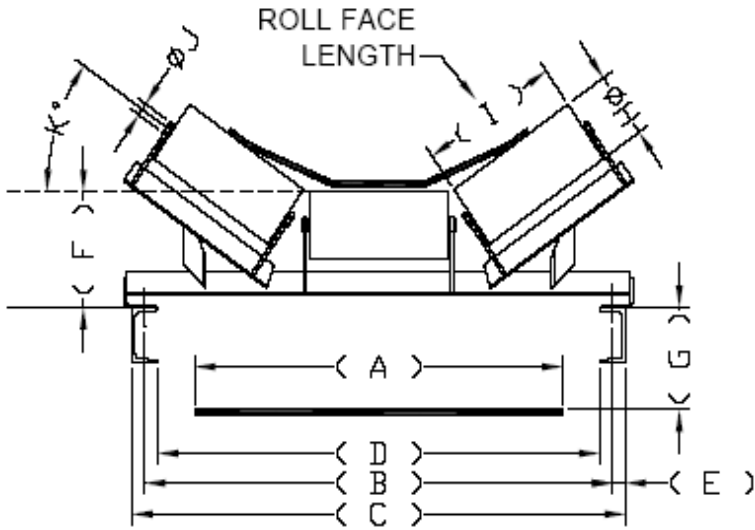


BELT APPLICATION SHEET



DIM	MEASURE DIM
A	MM
B	MM
C	MM
D	MM
E	MM
F	MM
G	MM
H	MM
I	MM
J	MM
K	DEG
L	MM
M	MM
N	MM

Conveyor belt speed (metres/second) _____

On which side of the conveyor is the walkway, when viewed in the direction of belt travel?

LHS RHS (Mark Choice)

Distance from tail pulley _____ m

Distance from head pulley _____ m

SPECIAL REQUIREMENTS